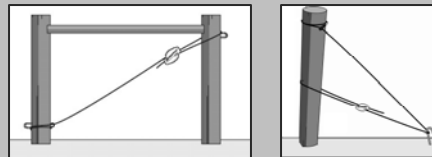


Gripple Plus Bracing/Anchoring Kits



The new **Gripple Plus Anchor/Bracing Kits** are the future for secure anchoring/bracing in fencing, vineyards or fruit orchards. Whether it be H-Posts in fencing or End Post in vineyards – the GPAK kits provide a strong, secure support for the complete fence or trellis structure.



The GPAK's come complete with the **new Gripple Plus** and easy to handle 7 x 7 galvanised steel wire rope, with a pre-ferruled loop for fast and easy installation. Available in two sizes and load ratings to suit your application, the GPAK 3/ 880 lb & GPAK 4 / 1320 lb.

The Gripple Plus is fitted with ceramic rollers that deliver three key benefits....

1. Ceramics rollers offer corrosion resistance against the weather and fertilizer spraying – **making re-tensioning easy.**
2. The superior toughness and precision teeth of the ceramic roller, grip securely to support the **load.**
3. The controlled movement of the ceramic roller within the Gripple Plus **combats the effect of wind dynamics and motion.**

Kits are installed and tensioned within minutes and when it comes to maintenance, they can be re-tensioned in seconds!

PACKS

Type	Retail Bag	Retail Box	Bulk Box	Pallet (Retail or Bulk)
GPAK3	10	80	80	3,840
GPAK4	6	48	48	2,304

PRICING

Type	Desc.	Load - lb	Distributor Price		Recommended Retail Price	
			Retail Pack	Bulk Pack	Retail Pack	Bulk Pack
GPAK3	15.0ft	880	\$ 2.20	\$ 2.00	\$4.60	\$4.20
GPAK4	16.5ft	1320	\$3.85	\$3.50	\$8.00	\$7.40



New Gripple Plus Anchor and Bracing Kits

Fast & easy installation

Time saving

Labor saving

Corrosion resistant

Easy re-tensioning

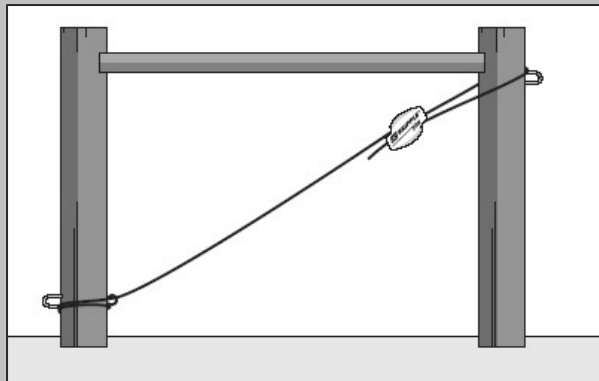
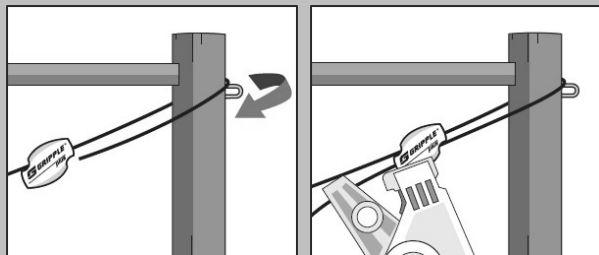
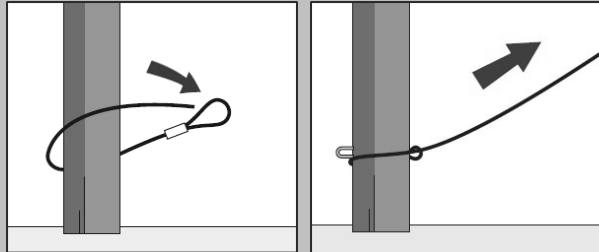
Neat professional finish



Kit with Gripple Plus and pre-ferruled wire rope

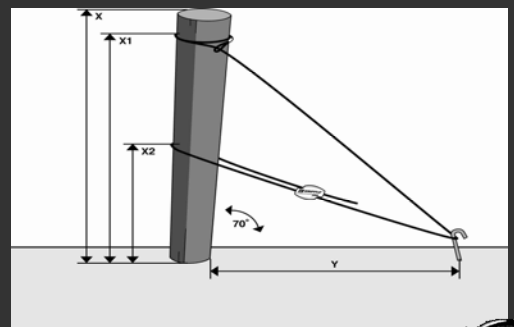
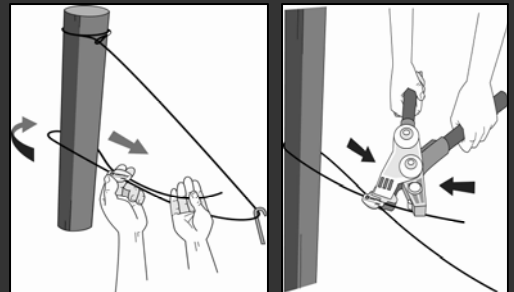
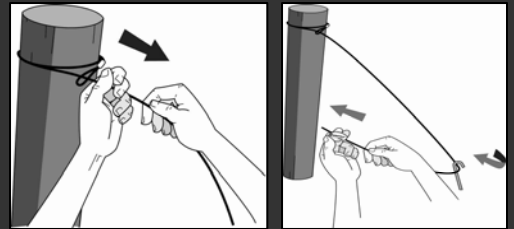
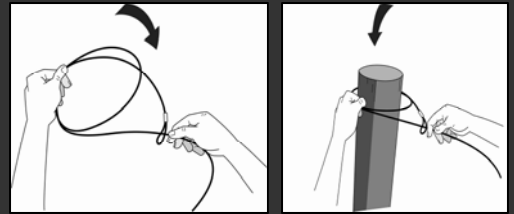
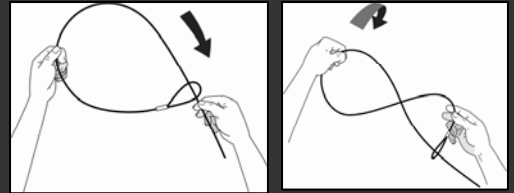


Recommended Installation / H-Post



Post Height - X	Anchor point - Y	Wire X1	Wire X2
5.0'	4.0' – 5.0'	4.6'	2.5'
6.0'		5.6'	3.0'
6.6'		6.3'	3.3'

Recommended Installation - Anchor



Gripple Inc. 1611 Emily Lane Aurora, IL 60502

Tel: 630-406-0600

Email: grippleinc@gripple.com

www.gripple.com

Install in 1 minute!

